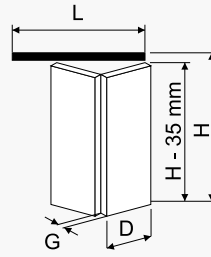




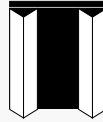
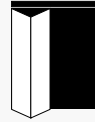
# APOLLO

Installation instruction  
Инструкция монтажа



2 x 14 kg

4 x 14 kg

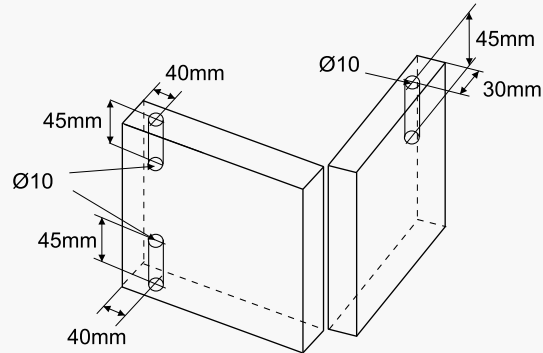
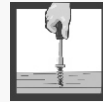


$$D = \frac{L}{2} - 4 \text{ mm}$$

$$D = \frac{L}{4} - 3 \text{ mm}$$

1

$D \leq 600 \text{ mm}$

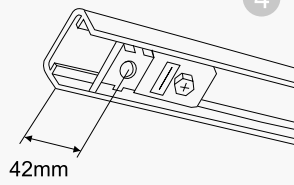
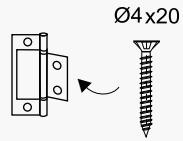
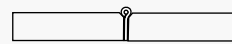
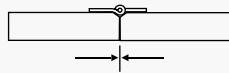


2

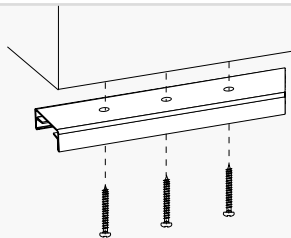
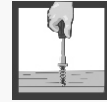


3 A

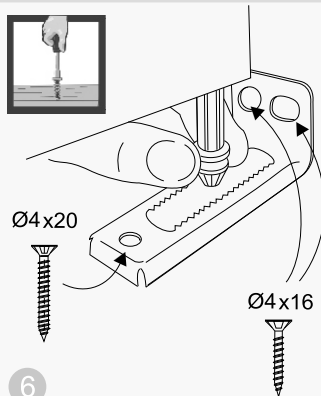
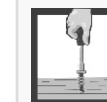
3 A



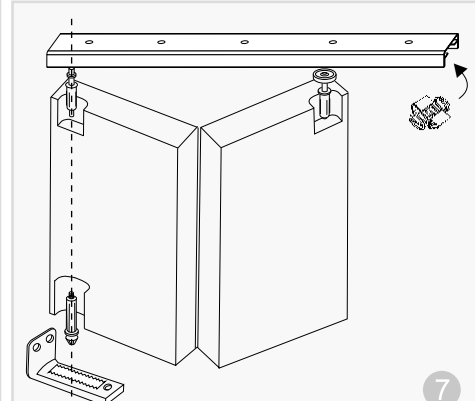
4



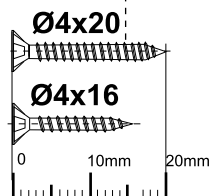
5



6



7



1:1